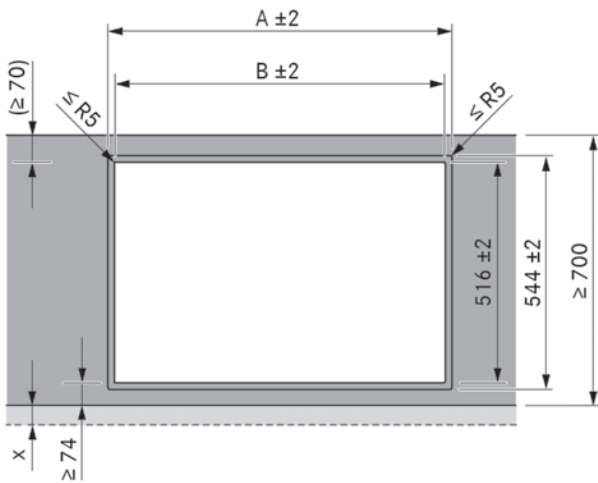
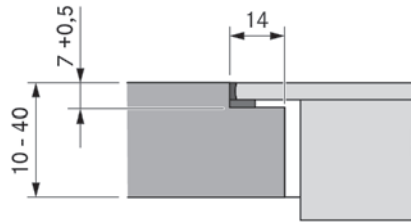
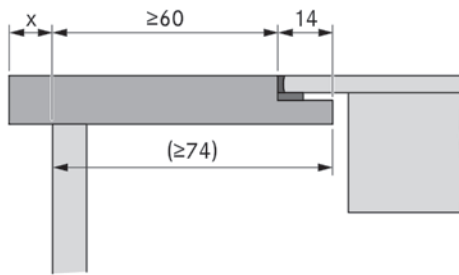
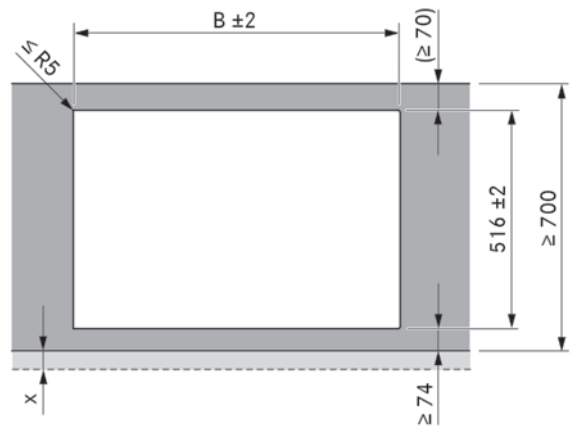
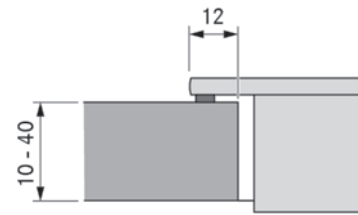
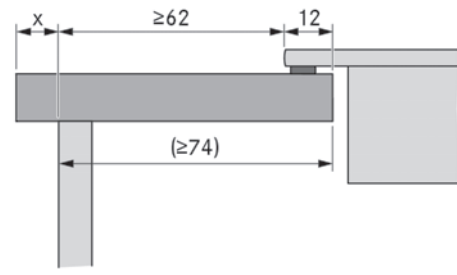


## Flush installation



## Surface mounting



## Cooktops/cooktop extractor

## Combination

## A in mm

## B in mm

	1/0	374	346
	1/1	485	457
	2/1	856	828
	3/2	1338	1310
	4/2	1709	1681

## Important planning information:

- All dimensions are shown from the front edge of the front panel.
- Cut-out dimension tolerance +/- 2 mm.
- Clearance of 1 mm should be provided between the built-in appliances.
- Clearance of 2 mm should be provided around the built-in appliances.
- Please note the worktop manufacturer's instructions on the suitability of the worktop. Worktop cut-outs must be moisture-sealed using suitable means or, where necessary, fitted with a thermal insulator (e.g. in the case of Corian or HiMacs worktops).
- When installation is complete, the appliance is to be sealed in using heat-resistant silicone sealant.